

LSI Logic LED Discrete Cable Installation

15-4120-02B

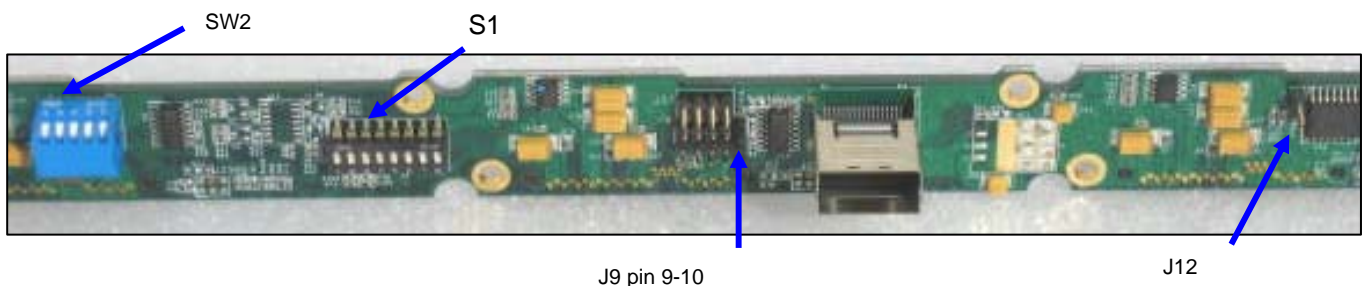
I. Introduction

The following instructions will guide the user in setting and installing the necessary LED discrete cables to enable the Fail LED capabilities of some LSI Cards using the Backplane Board 12-6412-02BR(-A02).

II. Required LED Cable:

| LSI CONTROLLER CARD | LED CABLE PART NUMBER |
|---------------------------|-----------------------|
| MegaRAID SAS/SATA 84016E | 05-3203-02A |
| MegaRAID SAS/SATA 8708ELP | 05-3203-01B |

III. Set-up of Backplane Board 12-6412-02BR



1. Set all keys of SW2 to ON position
2. Set all keys of S1 to OFF position
3. Remove any Shunt-Jumper from J12
4. Install Shunt-Jumper on J9 pin 9-10.

IV. LED Discrete Cable Connection

1. The 4-pin Cable Connector of the LED Discrete Cable must be connected to the Backplane Board on the lower Row of J9 (Arrow/ Triangle of Cable Connector to pin-1 of J9) as shown on Figure 2.

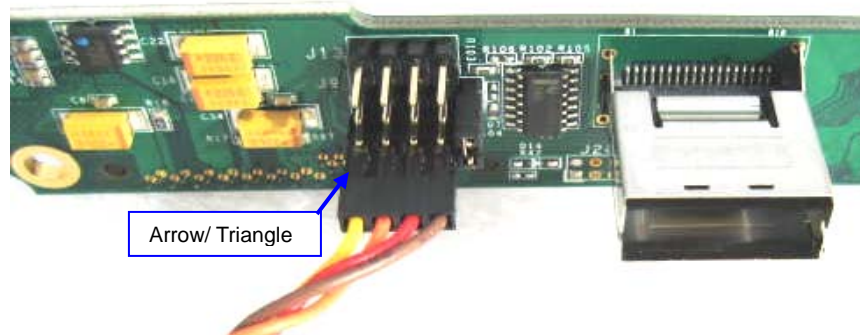


Figure 2 The 4-pin Connection to the Backplane Board

2. The 8-pin Cable Connector must be connected to the LSI Card on the 8x2 Fault LED Header on Cathode Pins as shown on Figure 3.

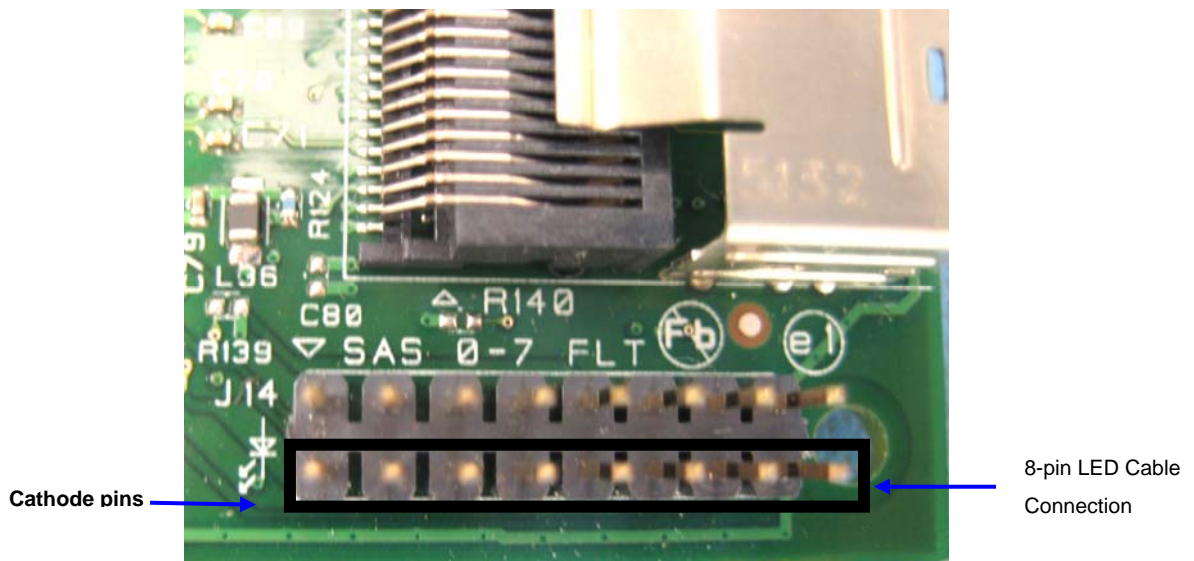


Figure 3 Connection of the 8-pin Connector to LSI Card

The Location and Cable Connection/ Orientation to this LED Header depend on the LSI Card Model. Refer to Section VI for details.

V. Instructions for connecting the discrete Fail LED cable

1. Connect the 4-pin Cable Connector of the LED Cable Assembly (Label F0-F3) to the First Backplane Board whose Data Cable connects to the Data Ports 0-3 on LSI Card. Refer to IV.1 for the Backplane LED Cable Connection.
2. Connect the other 4-pin Cable Connector (Label F4-F7) to the Second Backplane Board whose Data Cable connects to the Data Ports 4-7 on LSI Card. Refer to IV.1 for the Backplane LED Cable Connection.
3. Connect the 8-pin Cable Connector of this LED Cable Assembly (Label 0-7) to the Card on the 8x2 Fault LED Header Location that is corresponding to the Data Ports 0 - 7. Refer to Section VI for the LED Cable Connection on the Card.

For more backplane boards on more location of Data Ports on the Card, similarly follow step V1- V3:

4. Connect the 4-pin Cable Connector of the LED Cable Assembly (Label F8-F11) to the Third Backplane Board whose Data Cable connects to the Data Ports 8-11 on LSI Card. Refer to IV.1 for the Backplane LED Cable Connection.
5. Connect the other 4-pin Cable Connector (Label F12-F15) to the Forth Backplane Board whose Data Cable connects to the Data Ports 12-15 on LSI Card. Refer to IV.1 for the Backplane LED Cable Connection.
6. Connect the 8-pin Cable Connector of this LED Cable Assembly (Label 8-15) to the Card on the 8x2 Fault LED Header Location that is corresponding to the Data Ports 8 -15. Refer to Section VI for the LED Cable Connection on the Card.

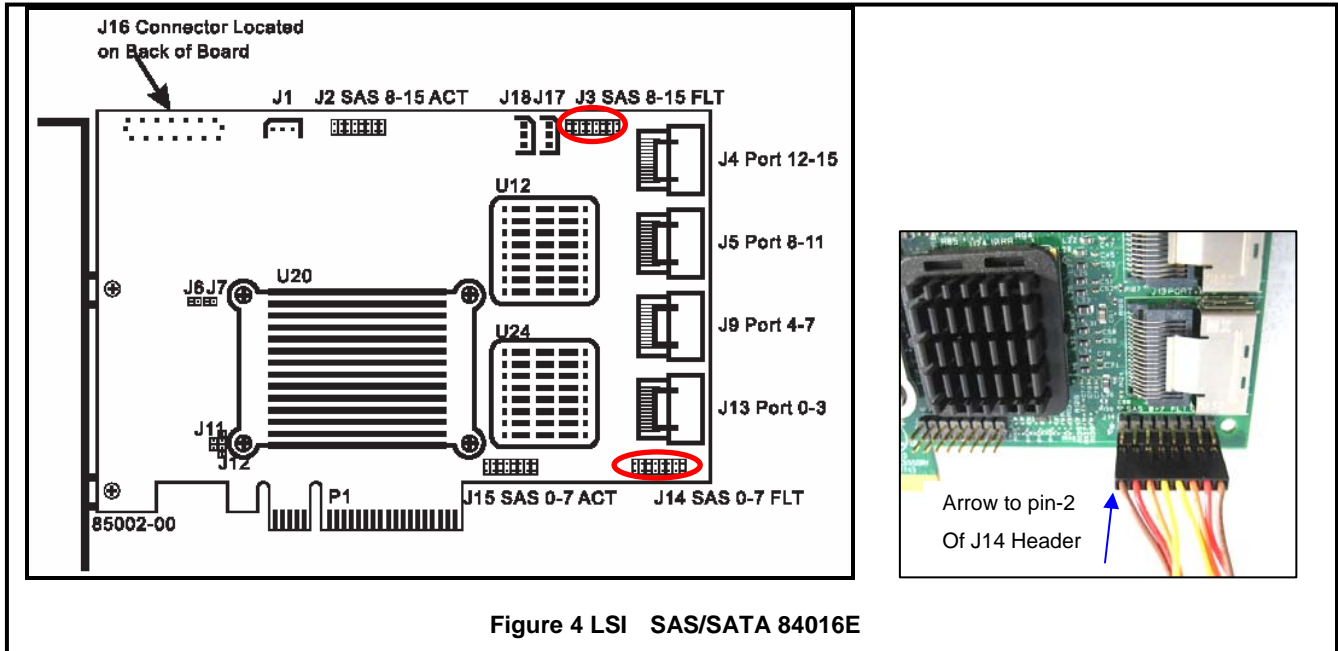
VI. LED Cable Connection and Orientation on LSI Card

The Fault LED Header is highlighted on the drawing.

1. LSI 84016E

LED Cable F0-F7 connects to J14 Header on the Card, Arrow of Cable Connector to pin-2 of Header.

LED Cable F8-F15 connects to J3 Header on the Card, Arrow of Cable Connector to pin-2 of Header.



2. LSI 8708ELP

LED Cable F0-F7 connects to J5 Header on the Card, Arrow of Cable Connector to pin-16 of Header.

