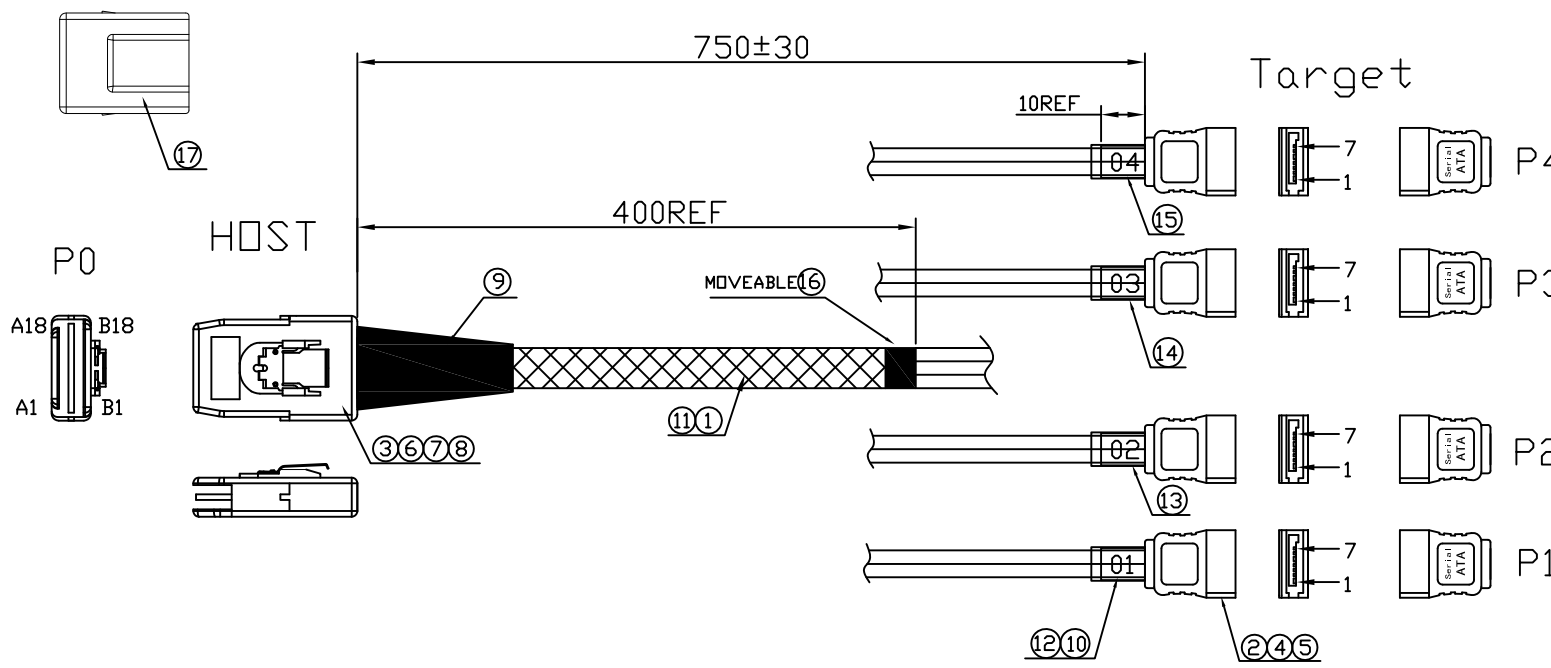


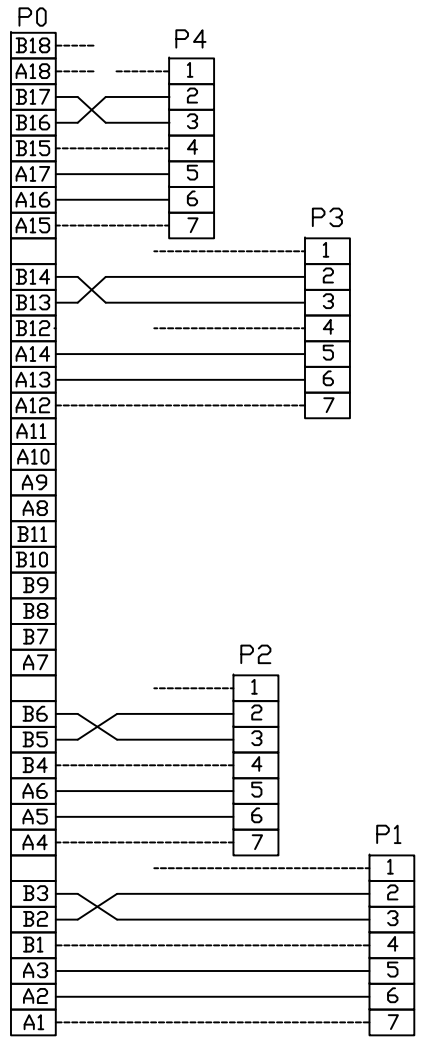
PART REV.	DWG. REV.	ECD#	ZONE	DESCRIPTION OF CHANGE	REV. BY	APPD	DATE
A	A			CREATE FOR RFA J25	WENDY	DAVID	11-08-17



**ELECTRICAL TEST:**  
 1.OPEN / SHORT 100% TEST.  
 2.CONTACT RESISTANCE : 1Ω(MAX).  
 3. INSULATION RESISTANCE : 20MΩ (MIN).  
 4.HI-POT : DC 300V /10MS.

Target

**PIN ASSIGNMENT**



NO.	PART NO.	DESCRIPTION	Q'TY	UNIT
17	3-01-0004-003001	PVC BLACK 30P (MINI SAS 36P Dustproof cover 1PCS)	7	G
16	4-20-0062-002001	ACETATE TAPE BLACK W=20mm	50.0	mm
15	4-20-0052-100504	LABEL: "04" Translucent bottom black words	1	PCS
14	4-20-0051-100503	LABEL: "03" Translucent bottom black words	1	PCS
13	4-20-0050-100502	LABEL: "02" Translucent bottom black words	1	PCS
12	4-20-0036-100501	LABEL: "01" Translucent bottom black words	1	PCS
11	4-15-0044-001001	NYLON BRANID W=10.0MM BLACK 1*72	420.0	mm
10	4-15-0039-100201	Heat shrink tube OD:5.0mm Transparent	15.0*4	mm
9	4-15-0048-100127	Adhesive heat shrink tube OD:12.7mm	20.0	mm
8	2-61-A042-011501	MINI SAS 36P Metal latch	1	PCS
7	3-03-0002-005001	PP BLACK	6	G
6	3-02-0002-086701	TRL-THERMELT-867	3	G
5	3-02-0001-532151	PE	10	G
4	3-01-0033-005001	PVC 50P BLACK	12	G
3	2-70-0001-011501	MINI SAS 36P PCB	1	PCS
2	2-61-A003-001501	SATA 7P/F Pin: Gold-plate1.5u" 180° PBT BLACK	4	PCS
1	1-61-0006-200251	(30#*2C+AL+2D)*2C 1.85*5.8 PANTONE 200C UL2863 RED	775.0*4	mm

©COPYRIGHT 1995 MAJESTIC TECHNOLOGY CORPORATION

TOLERANCES (EXCEPT TITLE BLOCK DATA AND UNLESS OTHERWISE SPECIFIED)	DRAWN BY WENDY LIU	DATE 11-08-17	
LINEAR ANGLES	CHECKED BY VINCENT HO	DATE 11-08-17	
ALL DIMENSION ARE IN THIRD ANGLE PROJECTION	APPROVED BY DAVID HUANG	DATE 11-08-17	COMMERCIAL & INDUSTRIAL DESIGN CO., INC. PART NAME: MINI SAS 36P TO 4x SATA 7P/F 180° CABLE 0.75M (MD-6706115)
SIZE C	PART NO. XX-XXXX-XX	REV. A0	SCALE: 1 : 1 SHEET: 1 OF 1