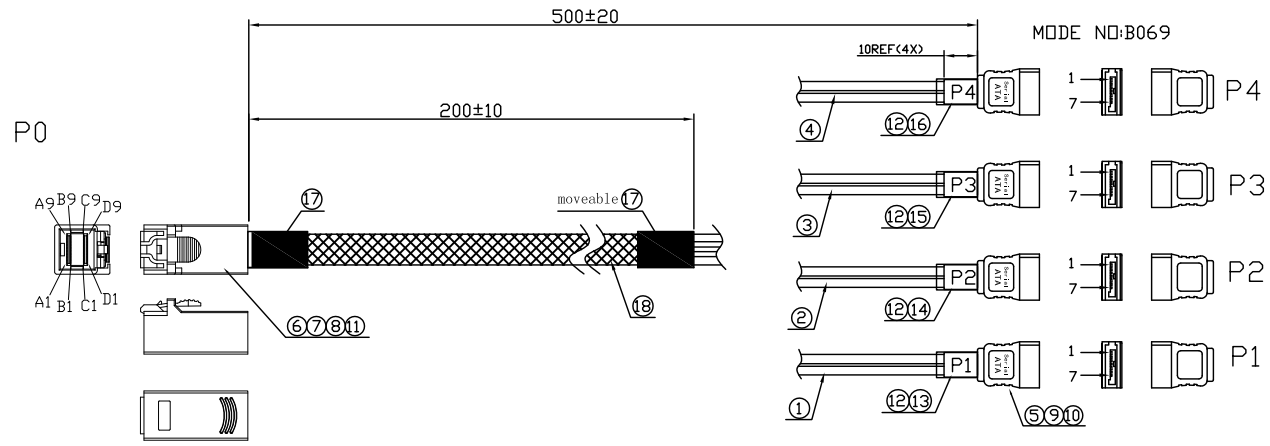
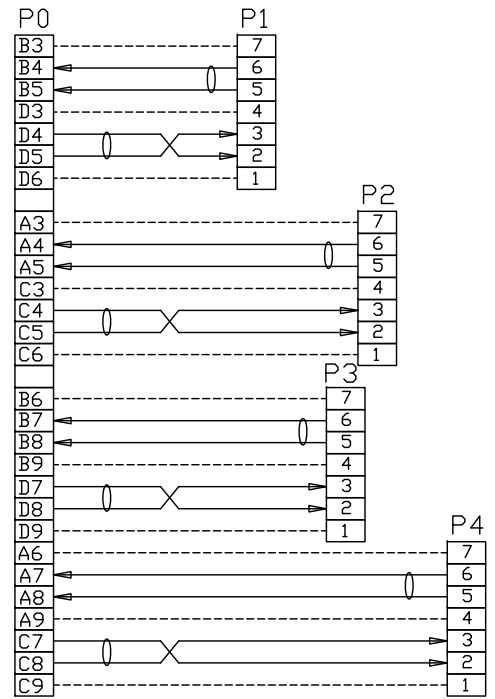


PART REV.	DWG. REV.	ECO#	ZONE	DESCRIPTION OF CHANGE	REV. BY	APPD	DATE
A	A			CREATE FOR RFA J25	WENDY	DAVID	11-08-17



MODE NO: B069

PIN ASSIGNMENT



ELECTRICAL TEST:
 1.OPEN / SHORT 100% TEST.
 2.CONTACT RESISTANCE : 1Ω(MAX).
 3. INSULATION RESISTANCE : 20MΩ (MIN).
 4.HI-POT : DC 300V /10MS.

18	4-15-0044-001001	NYLON BRAID W=10.0MM BLACK 1*72	220.0	mm
17	4-20-0062-002001	ACETATE TAPE BLACK W=20mm	50.0*2	mm
16	4-22-0091-3007P4	LABEL: "P4" Translucent bottom black words	1	PCS
15	4-22-0050-3007P3	LABEL: "P3" Translucent bottom black words	1	PCS
14	4-22-0049-3007P2	LABEL: "P2" Translucent bottom black words	1	PCS
13	4-22-0048-3007P1	LABEL: "P1" Translucent bottom black words	1	PCS
12	4-15-0039-100201	Heat shrink tube OD:5.0mm Transparent	15.0*4	mm
11	3-03-0004-005001	PBT BLACK NON-migration(UL94V-0)	6	g
10	3-02-0001-532151	PE	10	g
9	3-01-0033-005001	PVC 50P BLACK (UL94V-0)	12	g
8	2-70-0018-011501	HD MINI SAS 36P SHELL 180°	1	PCS
7	2-70-0019-011502	HD MINI SAS 36P PCB/CD	1	PCS
6	2-70-0016-011501	HD MINI SAS 36P PCB/AB	1	PCS
5	2-61-A003-001501	SATA 7P/F Pin Gold-plate 15u" 180° PBT BLACK	4	PCS
4	1-61-0052-200251	2C*30#+2D+AL-MYLAR+THERMOPLASTIC-MYLAR BLUE 04(Non UL)	525.0*2	mm
3	1-61-0051-200251	2C*30#+2D+AL-MYLAR+THERMOPLASTIC-MYLAR BLUE 03(Non UL)	525.0*2	mm
2	1-61-0050-200251	2C*30#+2D+AL-MYLAR+THERMOPLASTIC-MYLAR BLUE 02(Non UL)	525.0*2	mm
1	1-61-0049-200251	2C*30#+2D+AL-MYLAR+THERMOPLASTIC-MYLAR BLUE 01(Non UL)	525.0*2	mm
NO.	PART NO.	DESCRIPTION	Q'TY	UNIT

Legend:
 :High-Speed Serial Differential Pairs
 :Signal Return
 :Sideband Signal

©COPYRIGHT 1995 MAJESTIC TECHNOLOGY CORPORATION

TOLERANCES (EXCEPT TITLE BLOCK DATA AND UNLESS OTHERWISE SPECIFIED)	DRAWN BY WENDY LIU	DATE 11-08-17	
X .XX XXX	CHECKED BY VINCENT HO	DATE 11-08-17	
LINEAR ANGLES	APPROVED BY DAVID HUANG	DATE 11-08-17	COMMERCIAL & INDUSTRIAL DESIGN CO., INC. PART NAME: HD MINI SAS TO 4x SATA 7P/F 180° CABLE 500MM (MD-6706109)
ALL DIMENSIONS ARE IN THIRD ANGLE PROJECTION	DWG NO: 04-7084	REV. A0	
SIZE C	PART NO: 04-7084-02	SCALE: 1 : 1	SHEET: 1 OF 1