

## Bay LED Support on CI Design NSR Unit Using SGPIO on Adaptec SAS / SATA Controller Card

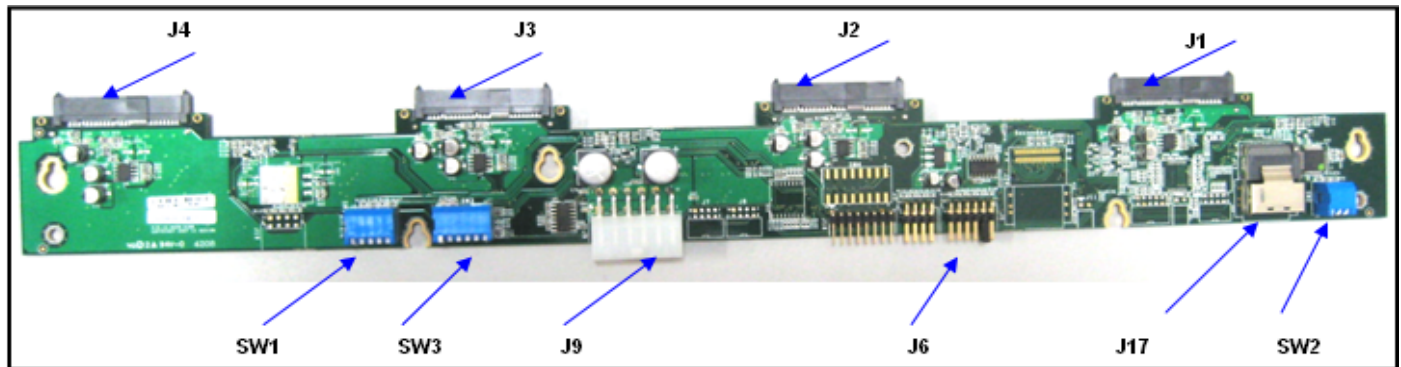
### I. Introduction

This manual will provide the information for Bay LED Support on CI Design NSR Enclosures with the Horizontal Backplane Board 12-6429-11B using the SGPIO Option of the Adaptec Controller Card for enabling the drive bay Status LED (Red Light). The drive bay Power LED (Green Light) is supported from the backplane board. The drive bay Activity LED (Blue Light) is supported from the HDD pin-11. This manual will apply to Adaptec SATA / SAS Card 52445, 5445.

### II. Required materials:

1. Data Cable SFF8087 with Side-Band.
2. The Backplane Board that has been flashed with the correct Firmware (Light Green Point marking on U10 surface on the board).

### III. Settings on Backplane Board



**Figure 1 Backplane Board 12-6429-08B-C01**

HEADER	J6	Shunt-Jumper on pin 9 – 10
SWITCH	SW1	All DIP Keys are ON
	SW2	All DIP keys → ON
	SW3	DIP Key 1 → OFF DIP Key 2-6 → ON

**Table 1 Switch & Header Setting on Backplane Board**

## IV. Connection on Backplane Board

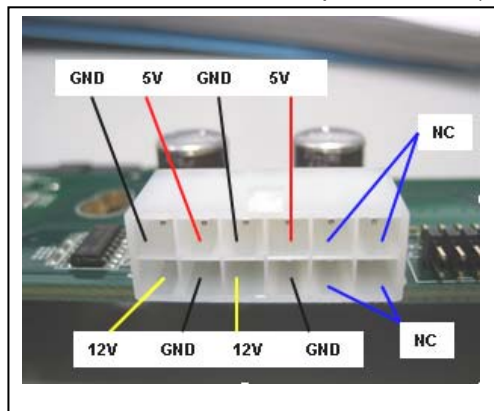
### 1. Data Cable Connection.

Data Cable Connector	HDD Type
J17	SATA/ SAS (primary)

**Table 2 Data Cable Connector on the board**

### 2. Power Supply Cable Connection

Connect the Power Supply DC Cable to J9 on each Backplane Board (B/P).



**Figure 2 J9 Power Input Pin Out**

### 3. HDD Connection

Engage the HDD on J1, J2, J3, J4.

## V. Installing the cables onto controller card

Using SGPIO, the only cable that needs to be connected to the card is the DATA Cable with Side-Band.

## VI. Setting on Controller Card:

Perform the following set-up on the Adaptec Card:

1. FW version → The latest FW (Mar 2010 or newer)
2. On CTRL+A Configuration Utility: Backplane Mode → SGPIO.